

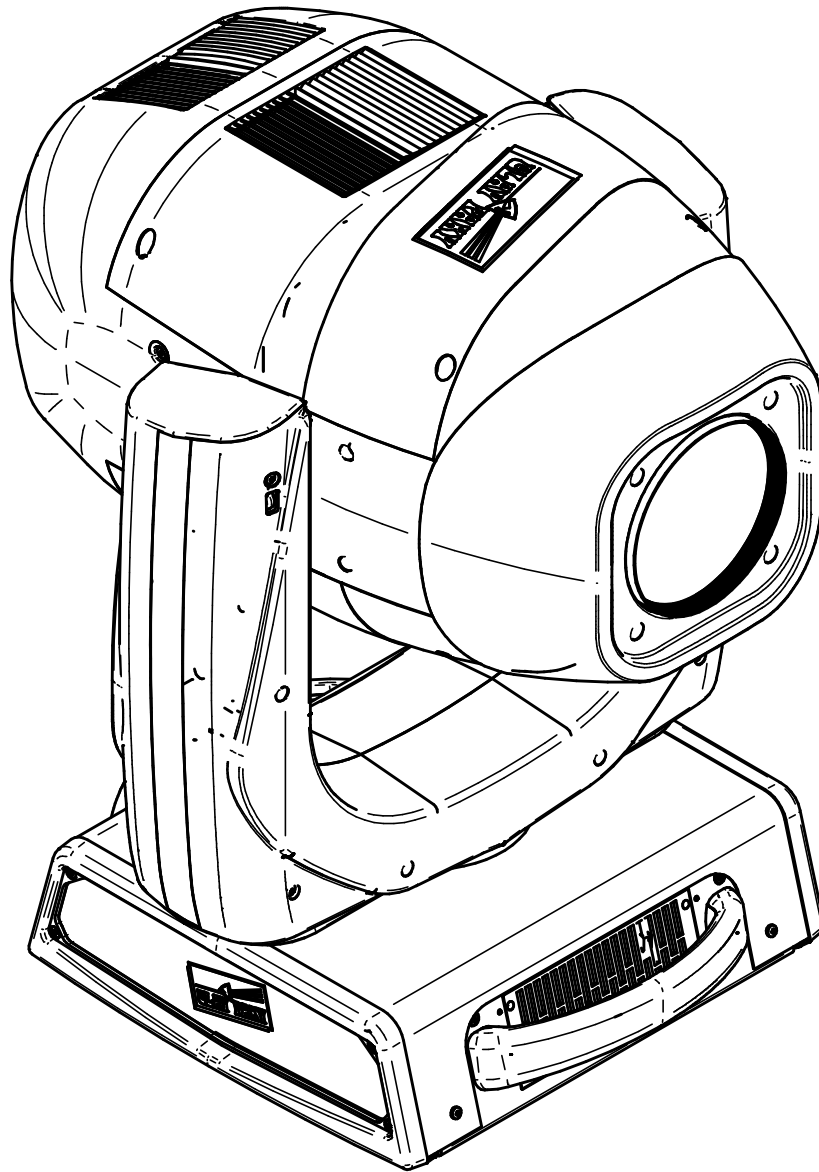


AN OSRAM BUSINESS

SCENIUS SPOT C61500

SPARE PARTS

Rev. A - 11/15

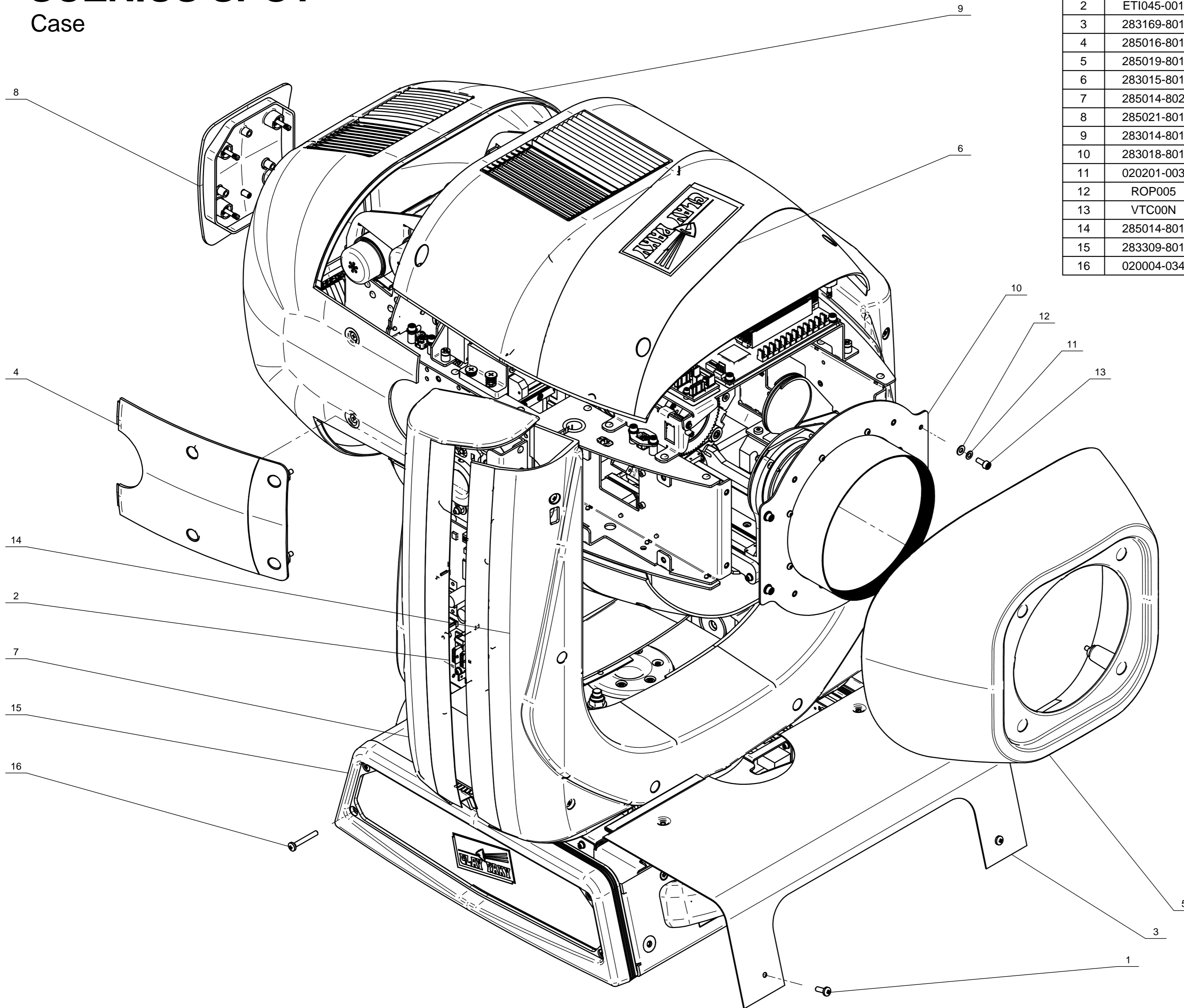


INDEX

Case	2
Base assembly (part1)	3
Base assembly (part2)	4-5
Control Panel assembly	6
Yoke assembly	7
Head/Lamp reflector assembly	8-9
Colour Mixing assembly	10
Effects assembly (part1)	11
Effects assembly (part2)	12
Optics assembly	13-14

SCENIUS SPOT

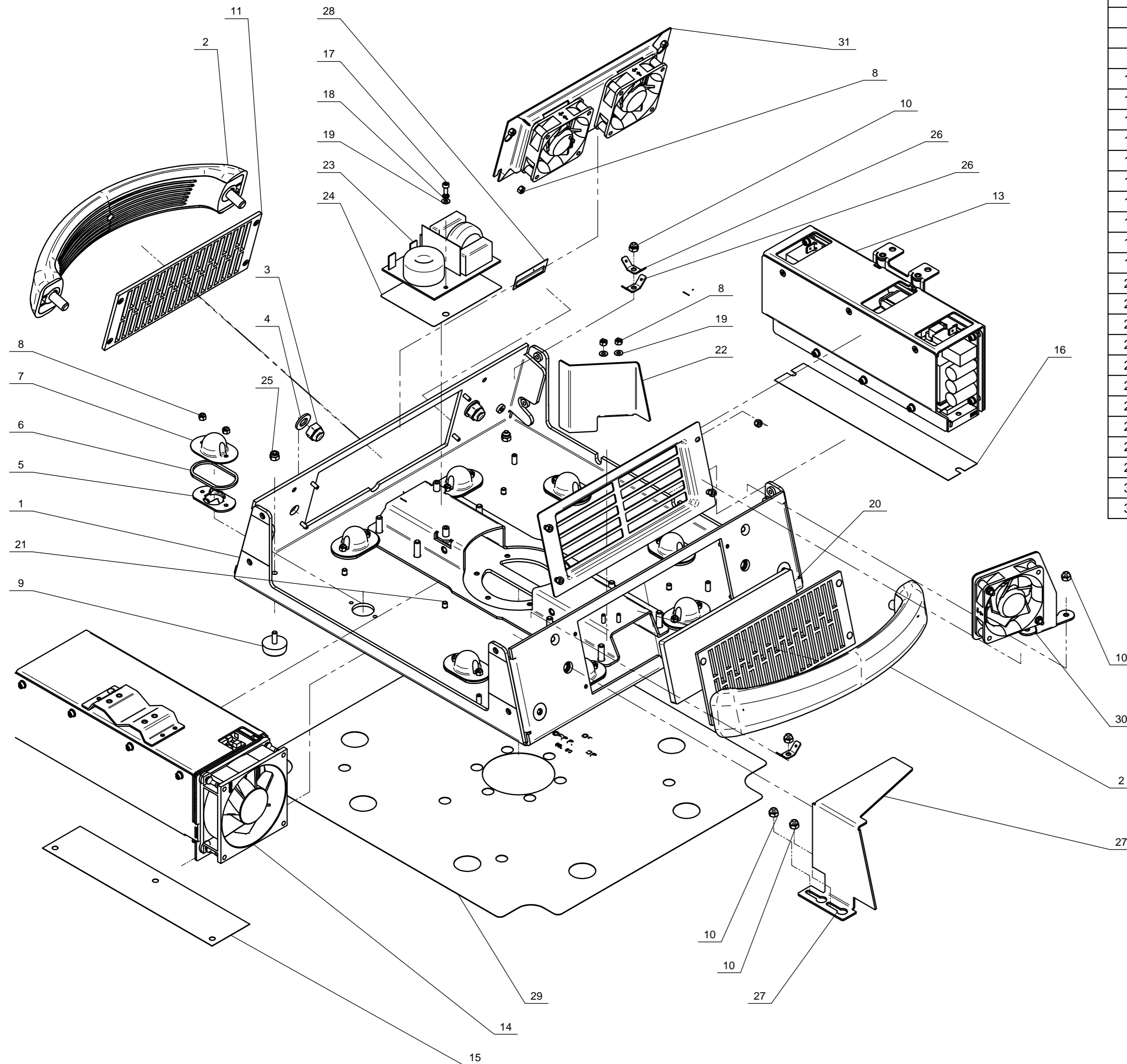
Case



N.	Part Number	Description
1	020004-025	Screw TCIC M4x12 UNI 7687 - Black Zinc Coated
2	ETI045-001	Label SCENIUS SPOT
3	283169-801	Base Carter
4	285016-801	Lateral Cover Group SCENIUS
5	285019-801	Front Flange group SCENIUS
6	283015-801	Effects Cover Group SCENIUS
7	285014-802	With drain lever Fork group
8	285021-801	Changing Lamp Cover Group SCENIUS
9	283014-801	Back Cover Group SCENIUS
10	283018-801	Front Lens Group
11	020201-003	Safety Washer ø4.1 Schnorr BN 791 Black Zinc Coated
12	ROP005	Washer ø4.3 UNI 6592 - Black Zinc Coated
13	VTC00N	Screw TCCE M4x10 UNI EN ISO 14579 - Black Zinc Coated
14	285014-801	Fork group
15	283309-801	group panel rear
16	020004-034	Screw TCIC M4x30 UNI 7687 - Black Zinc Coated

SCENIUS SPOT

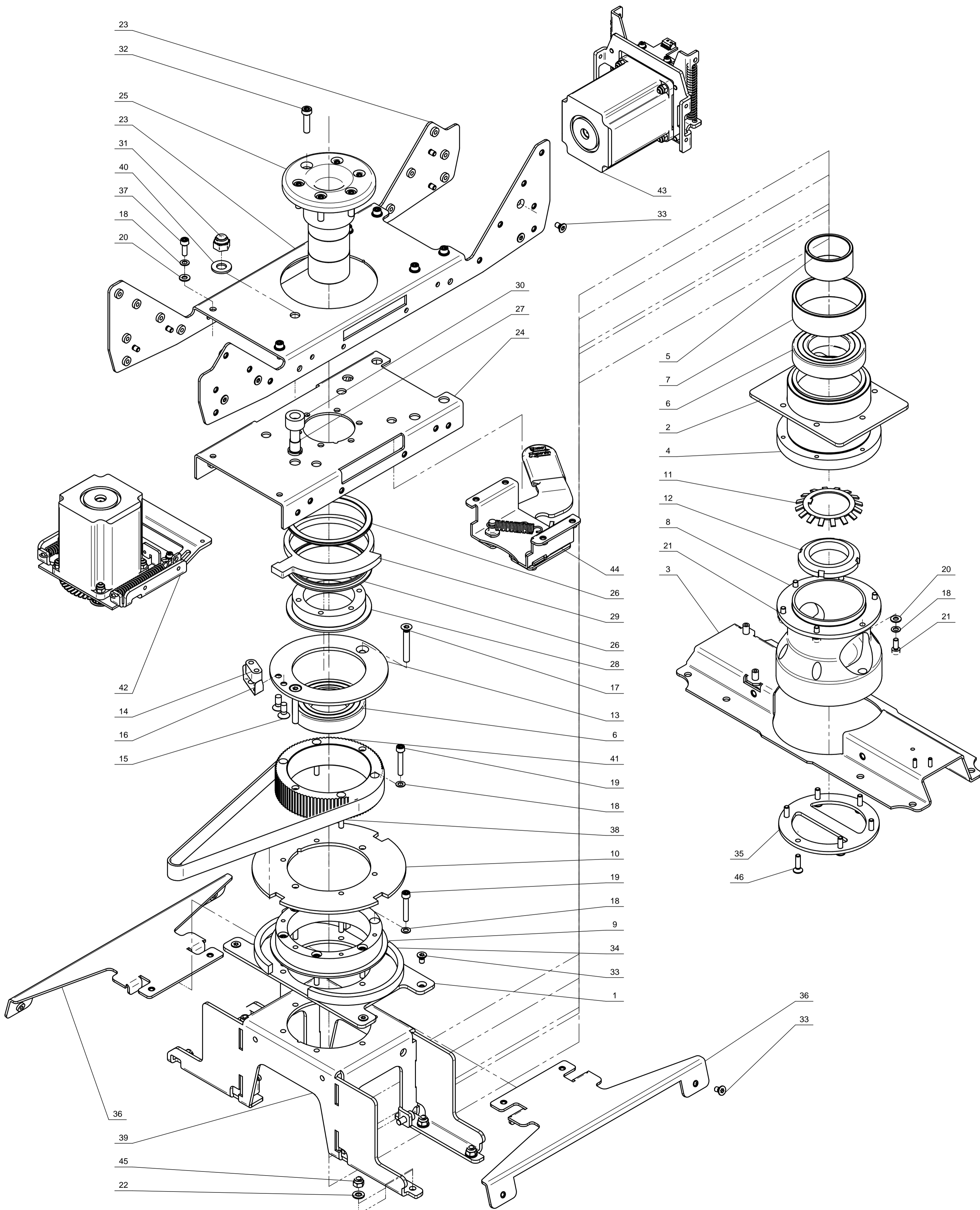
Base assembly (part1)



N.	Part Number	Description
1	283574-801	Base Plate
2	299200-801	Handle Group
3	020101-005	Self Locking Nut M8 UNI 7473 - White Zinc Coated - Nylon Insert
4	ROP008	Washer ø8.4 UNI 6592 - Black Zinc Coated
5	020412-001	Receptacle 991R2-1 AGV
6	088003-001	Receptacle Gasket 991R2-1AF
7	183133-002	Receptacle protection
8	020101-001	Self Locking Nut M3 UNI 7473 - White Zinc Coated - Nylon Insert
9	ANV003-001	Feet
10	020101-010	Self Locking Nut M4 UNI 7473 - AISI - Nylon Insert
11	283231-801	Ventilation Grid
12	283228-001	Ventilation Grid
13	283220-801	Power supply Closure plate group
14	283321-801	Lamp Power Supply Group
15	264101-001	Thermal Pad
16	264102-001	Thermal Pad
17	VTC01E	Screw TCCE M3x08 UNI EN ISO 14579 - White Zinc Coated
18	020201-002	Safety Washer ø3.2 Schnorr BN 791 Black Zinc Coated
19	020210-005	Washer ø3.2 UNI 6592 - White Zinc Coated
20	283132-001	Ventilation Filter
21	VTS00D-001	Screw TSCE M4x8 UNI EN ISO 14584 - Black Zinc Coated
22	283060-001	Air-duct plate
23	031877	Filter 13A (32 313 1010)
24	283111-002	Filter Mylar Protection
25	020101-002	Self Locking Nut M4 UNI 7473 - White Zinc Coated - Nylon Insert
26	030122	Faston Type B 6,3 x 0,8 45°
27	283326-001	Fan Air-Duct
28	ETI05G-001	Serial Number Label
29	ETI056-001	Warnings Label SCENIUS SPOT
30	283010-801	Base Fan Group
31	285151-801	Base Fan Group

SCENIUS SPOT

Base assembly (part 2)



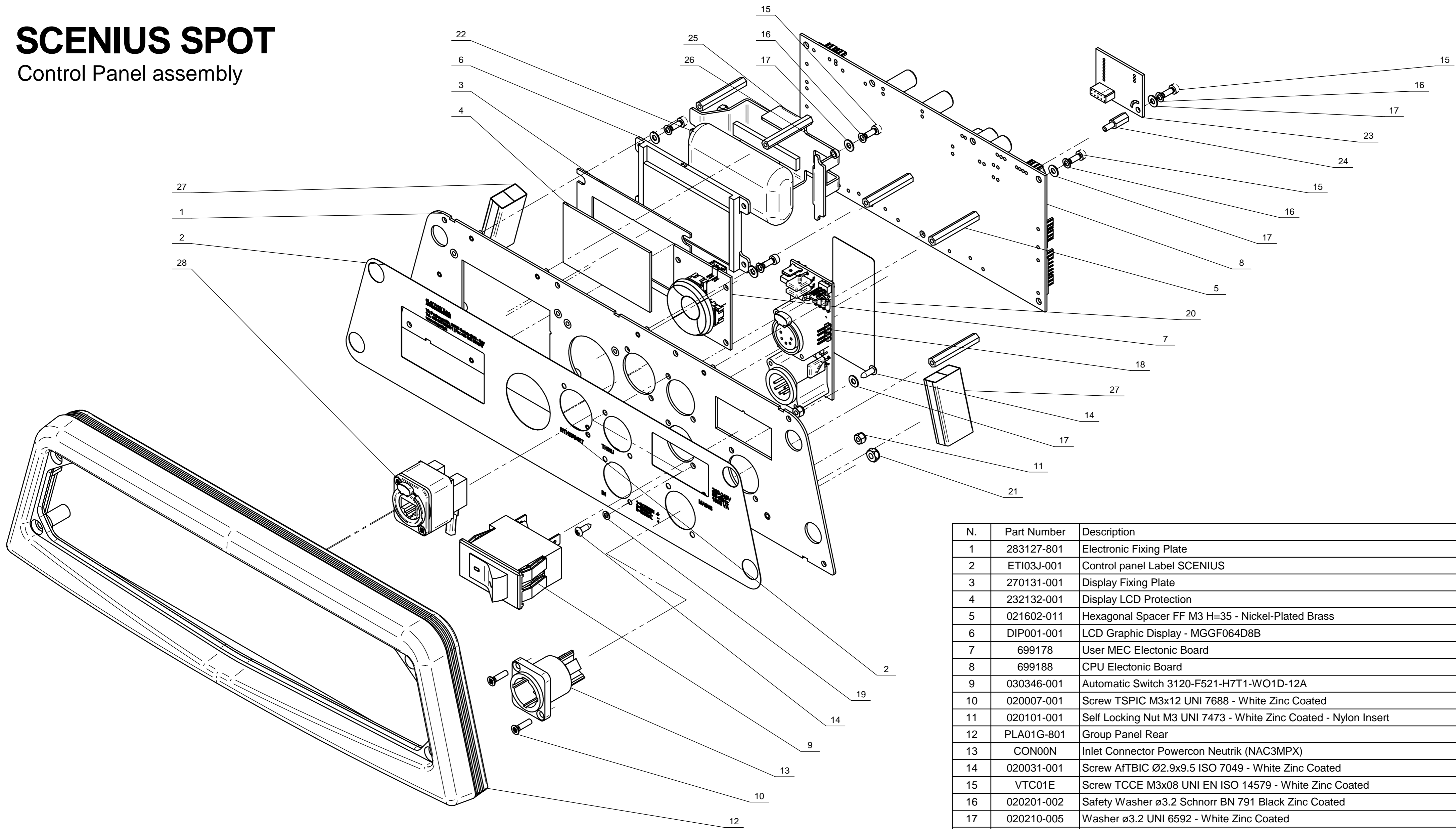
SCENIUS SPOT

Base assembly (part 2)_INDEX

N.	Part Number	Description
1	283097-002	Reinforcing Plate
2	283097-001	Reinforcing Plate
3	283552-801	Base Fixing plate
4	BOC00U-001	Bearing Bush
5	DIS017-001	Cylindrical Spacer Ø40 ø35 H=21
6	021016	Ball Bearing ø35Ø62x14 - 6007-ZZ
7	DIS018-001	Cylindrical Spacer Ø62 ø55.5 H=21
8	BOC01P-001	Bush
9	BOC00X-001	Bush
10	283058-001	Block disc Pan
11	020218	Lock Washer MB 07 White Zinc Coated
12	020131	Lock Ferrule SKF MB 07 Phosphated
13	232121-001	Locking Fixing Plate PAN
14	232122-001	PAN Stopping Rotation Worked Block
15	020005-010	Screw TSPEI M5x12 UNI 5933 - Black Zinc Coated
16	232123-001	Compression Spring PAN
17	VTS013	Screw TSCE M5 x 35 UNI EN ISO 14584 - Black Zinc Coated
18	020201-003	Safety Washer ø4.1 Schnorr BN 791 Black Zinc Coated
19	VTC00T	Screw TCCE M4x25 UNI EN ISO 14579 - Black Zinc Coated
20	ROP005	Washer ø4.3 UNI 6592 - Black Zinc Coated
21	VTC00N	Screw TCCE M4x10 UNI EN ISO 14579 - Black Zinc Coated
22	ROP006	Washer ø5.3 UNI 6592 - Black Zinc Coated
23	283096-801	PAN Rotation Crossbeam
24	283235-801	Reinforcing Plate
25	PER01H-001	PAN Stud
26	082018-001	Spacer
27	080264-002	Threaded Stud M8
28	232094-001	Flange
29	232120-001	Locking Plate PAN
30	081044-004	Cylindrical End Stopper ø9xØ16x10
31	020101-005	Self Locking Nut M8 UNI 7473 - White Zinc Coated - Nylon Insert
32	VTC01P-001	Screw TCCE M5x20 UNI EN ISO 14579 - Black Zinc Coated
33	VTS00D-001	Screw TSCE M4x8 UNI EN ISO 14584 - Black Zinc Coated
34	ISO001-004	Electric Conductive Sponge
35	283075-001	Safety Plate
36	283057-801	Base Reinforcing plate
37	VTC00O	Screw TCCE M4x12 UNI EN ISO 14579 - Black Zinc Coated
38	CID01D	Toothed Belt HTD 0537-3M-15 (Aramid Fiber)
39	283553-001	support Hub
40	020210-003	Washer ø8.4 UNI 6592 - White Zinc Coated
41	PUD01H-001	Toothed Pulley Z96 HTD
42	283103-801	motor Group Pan
43	283104-801	TILT motor Group
44	283005-801	TILT Block Group
45	020101-003	Self Locking Nut M5 UNI 7473 - White Zinc Coated - Nylon Insert
46	VTS00F-001	Screw TSCE M4x16 UNI EN ISO 14584 - Black Zinc Coated

SCENIUS SPOT

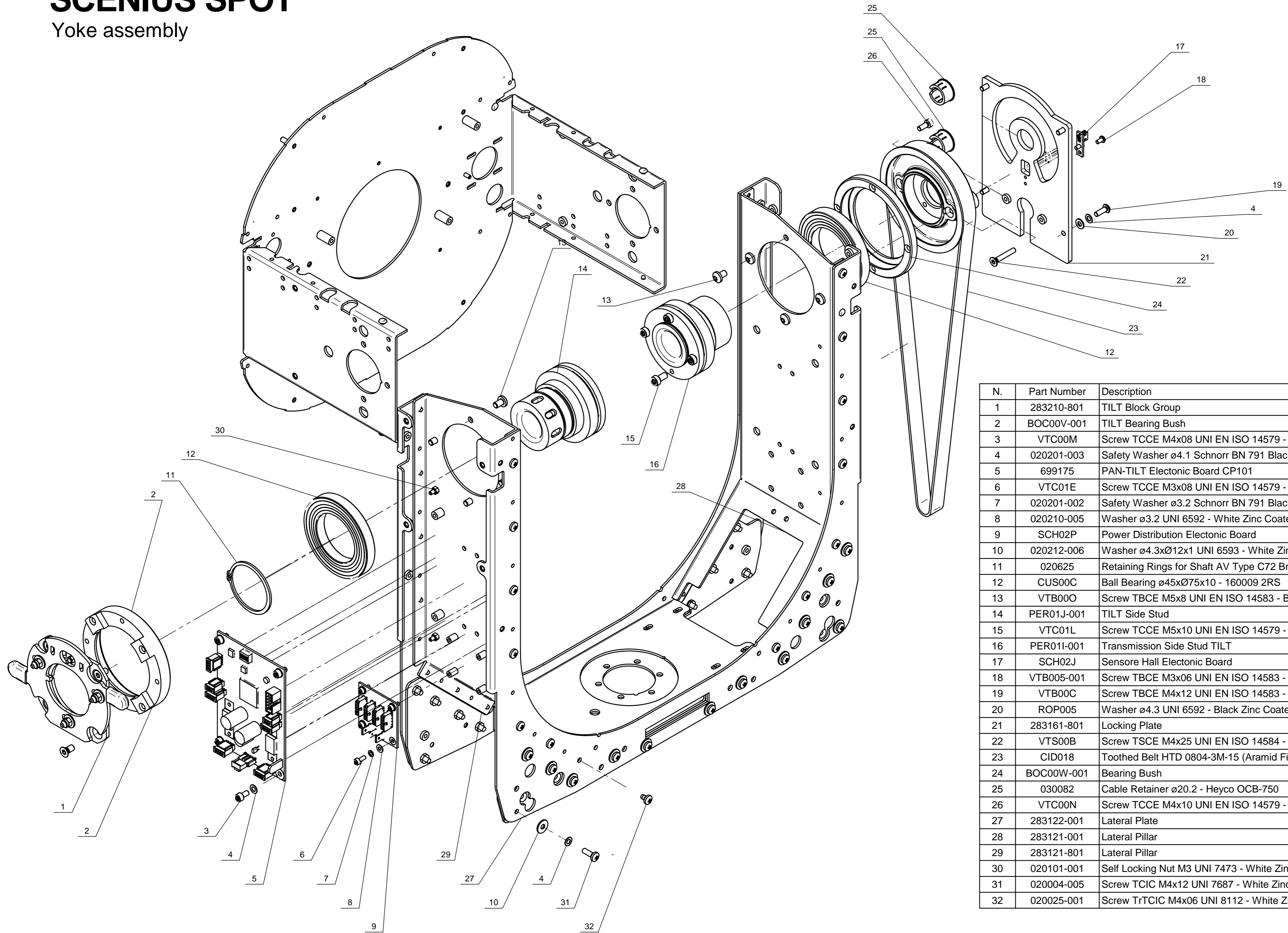
Control Panel assembly



N.	Part Number	Description
1	283127-801	Electronic Fixing Plate
2	ETI03J-001	Control panel Label SCENIUS
3	270131-001	Display Fixing Plate
4	232132-001	Display LCD Protection
5	021602-011	Hexagonal Spacer FF M3 H=35 - Nickel-Plated Brass
6	DIP001-001	LCD Graphic Display - MGGF064D8B
7	699178	User MEC Electronic Board
8	699188	CPU Electronic Board
9	030346-001	Automatic Switch 3120-F521-H7T1-WO1D-12A
10	020007-001	Screw TSPIC M3x12 UNI 7688 - White Zinc Coated
11	020101-001	Self Locking Nut M3 UNI 7473 - White Zinc Coated - Nylon Insert
12	PLA01G-801	Group Panel Rear
13	CON00N	Inlet Connector Powercon Neutrik (NAC3MPX)
14	020031-001	Screw AfTBIC Ø2.9x9.5 ISO 7049 - White Zinc Coated
15	VTC01E	Screw TCCE M3x08 UNI EN ISO 14579 - White Zinc Coated
16	020201-002	Safety Washer ø3.2 Schnorr BN 791 Black Zinc Coated
17	020210-005	Washer ø3.2 UNI 6592 - White Zinc Coated
18	SCH02B	DMX 5 Poles Connection Electronic Board
19	020217-008	Plastic washer ø2.7xØ5x0.5 Neutral
20	283111-001	DMX Connector Mylar Protection
21	020114-001	Self Locking Nut M4 UNI 7474 - White Zinc Coated - Metal Insert
22	030386	Battery 6.4V 1.5A - HFM6.4-15E2
23	699214	Deviator Electronic Board RS232 CP 0119
24	021604	Hexagonal Spacer MF M3 H=10 - Nickel-Plated Brass
25	283081-001	Battery Fixing Plate
26	080601-008	Cylindrical Spacer Ø5 ø3.2 H=2
27	ISO002-001	Insulating DRE10x20NI-N5V0-40
28	CAB056-801	Ethernet wiring

SCENIUS SPOT

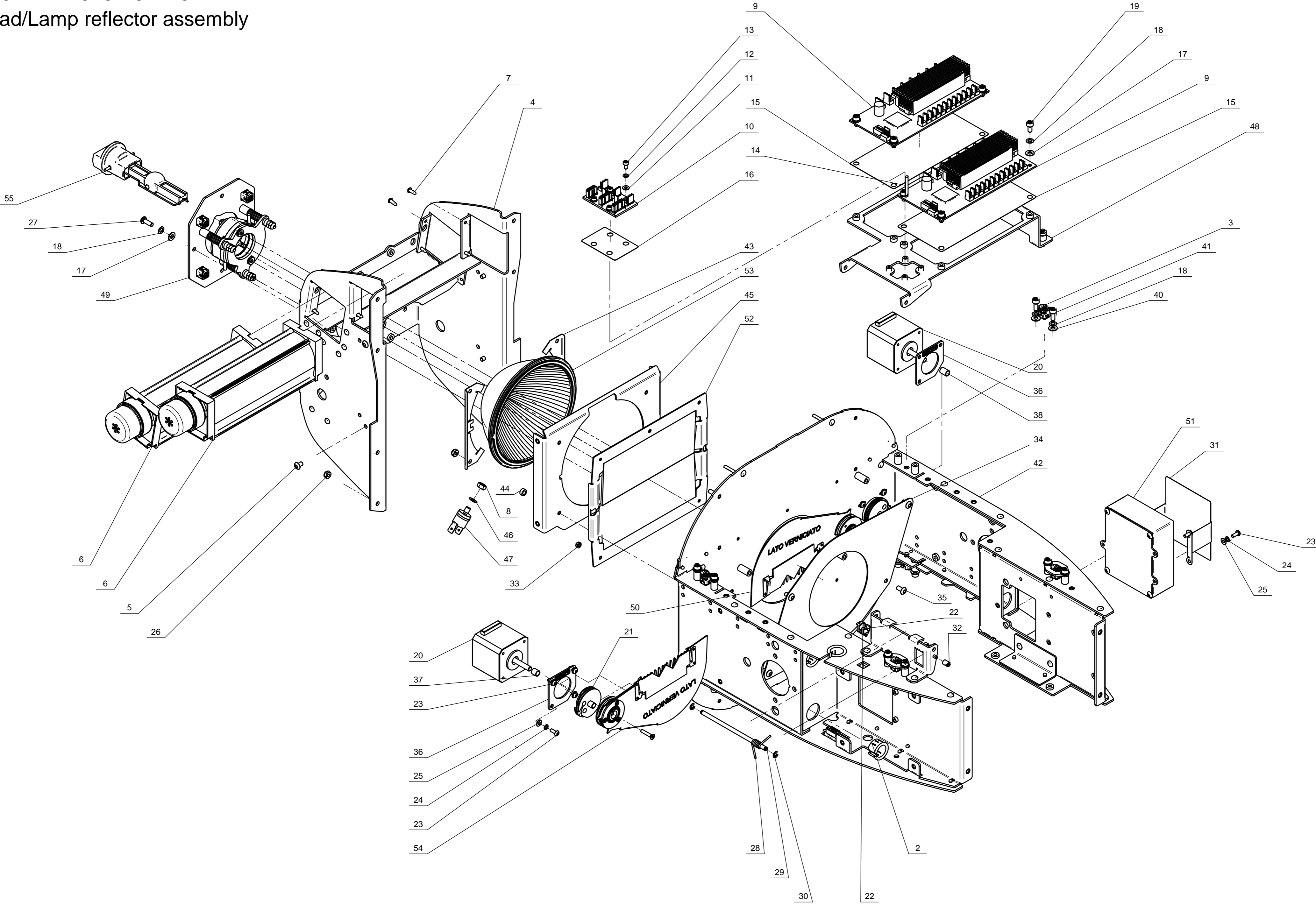
Yoke assembly



N.	Part Number	Description
1	283210-801	TILT Block Group
2	BOC00V-001	TILT Bearing Bush
3	VTC00M	Screw TCCE M4x08 UNI EN ISO 14579 - Black Zinc Coated
4	020201-003	Safety Washer ø4.1 Schnorr BN 791 Black Zinc Coated
5	699175	PAN-TILT Electronic Board CP101
6	VTC01E	Screw TCCE M3x08 UNI EN ISO 14579 - White Zinc Coated
7	020201-002	Safety Washer ø3.2 Schnorr BN 791 Black Zinc Coated
8	020210-005	Washer ø3.2 UNI 6592 - White Zinc Coated
9	SCH02P	Power Distribution Electronic Board
10	020212-006	Washer ø4.3xØ12x1 UNI 6593 - White Zinc Coated
11	020625	Retaining Rings for Shaft AV Type C72 Burnished Ø45
12	CUS00C	Ball Bearing ø45xØ75x10 - 160009 2RS
13	VTB00O	Screw TBCE M5x8 UNI EN ISO 14583 - Black Zinc Coated
14	PER01J-001	TILT Side Stud
15	VTC01L	Screw TCCE M5x10 UNI EN ISO 14579 - Black Zinc Coated
16	PER01I-001	Transmission Side Stud TILT
17	SCH02J	Sensore Hall Electronic Board
18	VTB005-001	Screw TBCE M3x06 UNI EN ISO 14583 - Black Zinc Coated
19	VTB00C	Screw TBCE M4x12 UNI EN ISO 14583 - Black Zinc Coated
20	ROP005	Washer ø4.3 UNI 6592 - Black Zinc Coated
21	283161-801	Locking Plate
22	VTS00B	Screw TSCE M4x25 UNI EN ISO 14584 - Black Zinc Coated
23	CID018	Toothed Belt HTD 0804-3M-15 (Aramid Fiber)
24	BOC00W-001	Bearing Bush
25	030082	Cable Retainer ø20.2 - Heyco OCB-750
26	VTC00N	Screw TCCE M4x10 UNI EN ISO 14579 - Black Zinc Coated
27	283122-001	Lateral Plate
28	283121-001	Lateral Pillar
29	283121-801	Lateral Pillar
30	020101-001	Self Locking Nut M3 UNI 7473 - White Zinc Coated - Nylon Insert
31	020004-005	Screw TCIC M4x12 UNI 7687 - White Zinc Coated
32	020025-001	Screw TrTCIC M4x06 UNI 8112 - White Zinc Coated

SCENIUS SPOT

Head/Lamp reflector assembly



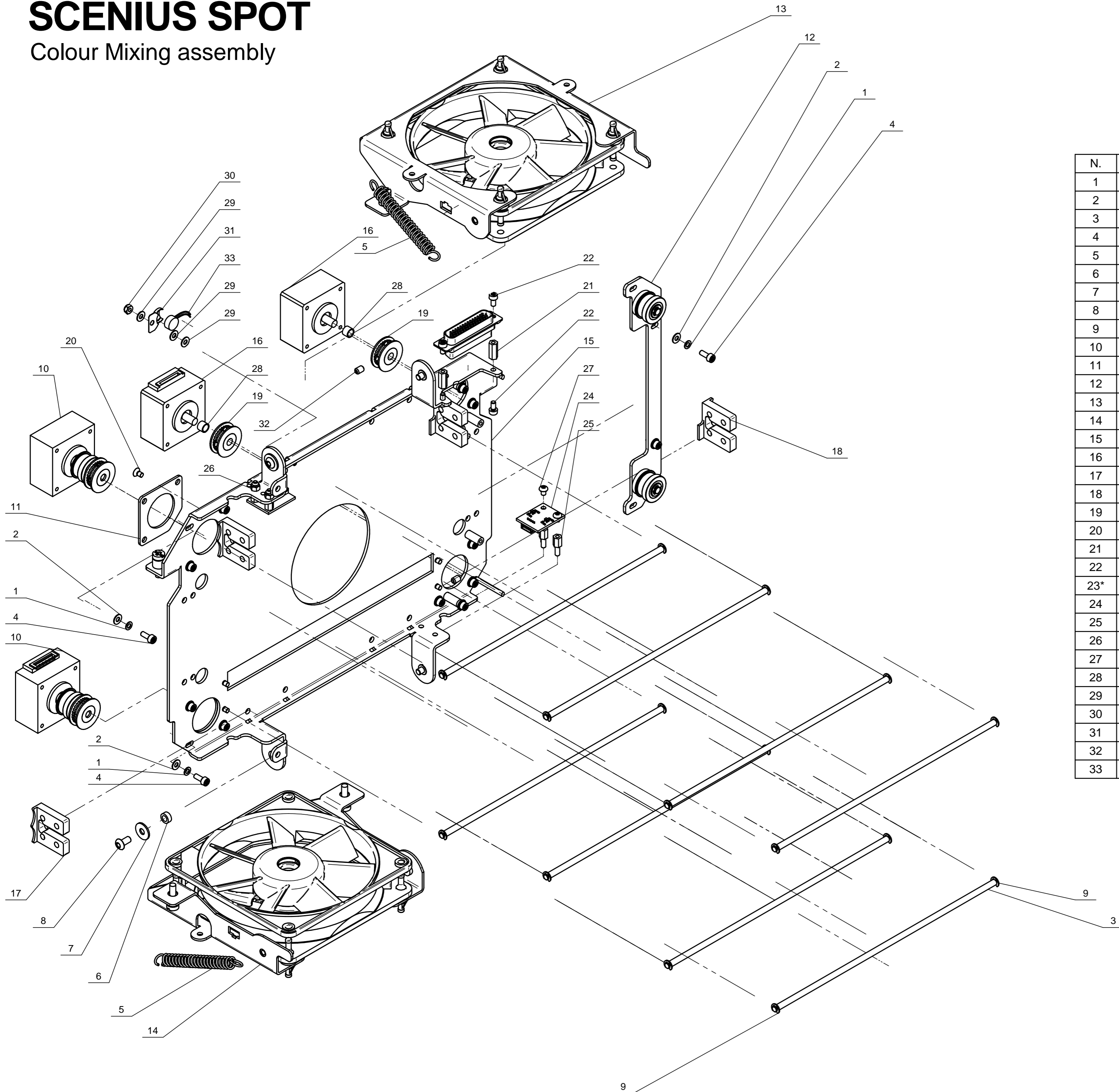
SCENIUS SPOT

Head/Lamp/Reflector assembly_INDEX

N.	Part Number	Description
1*	232020-001	Fixing Plate
2	030082	Cable Retainer ø20.2 - Heyco OCB-750
3	020445-001	Receptacle Soutcho D8-334-200-190
4	286317-801	Lamp-holder Plate Group
5	VTB00G-001	Screw TBCE M4x06 UNI EN ISO 14583 - Black Zinc Coated
6	283050-803	Radial Lamp Fan Group
7	020031-001	Screw AFTBIC Ø2.9x9.5 ISO 7049 - White Zinc Coated
8	020106-004	Medium Nut M5 UNI 5588 - White Zinc Coated
9	298011-801	8 Drivers Board Group
10	SCH01R	BUS and Power Derivation Electronic Board
11	020210-005	Washer ø3.2 UNI 6592 - White Zinc Coated
12	020205-005	Safety Washer ø3.1 Schnorr BN 791 AISI
13	VTC01C	Screw TCCE M3x06 UNI EN ISO 14579 - White Zinc Coated
14	FAS002	Cable Clamp Ø4.1 PVC Black
15	298112-002	Mylar Protection for 8 Driver Mini Board
16	299111-002	Mylar Protection for Derivation Board
17	020210-007	Washer ø4.3 UNI 6592 - White Zinc Coated
18	020201-003	Safety Washer ø4.1 Schnorr BN 791 Black Zinc Coated
19	VTC00M	Screw TCCE M4x08 UNI EN ISO 14579 - Black Zinc Coated
20	031956	Single Shaft Motor 42 x 42 L=24
21	PER02H-001	Stud
22	RIC002	Receptacle 715R02-3BP
23	VTB002	Screw TBCE M3x08 UNI EN ISO 14583 - Black Zinc Coated
24	020201-002	Safety Washer ø3.2 Schnorr BN 791 Black Zinc Coated
25	020210-020	Washer ø3.2 UNI 6592 - Black Zinc Coated
26	020114-001	Self Locking Nut M4 UNI 7474 - White Zinc Coated - Metal Insert
27	VTB00C	Screw TBCE M4x12 UNI EN ISO 14583 - Black Zinc Coated
28	081484-001	Compression Spring
29	083860-003	Stud Ø4
30	020601-001	Seeger for Shaft ø C72 - UNI 7435 Brurnished Ø4
31	283028-001	Insulating
32	081004-014	Cylindrical End Stopper ø5 M3 H=6.5
33	020112-001	Self Locking Nut M3 UNI 7474 - White Zinc Coated - Metal Insert
34	283056-001	Beam Size Reducer
35	VTB00D-001	Screw TBCE M4x08 UNI EN ISO 14583 - Black Zinc Coated
36	188026-001	Motor Insulating
37	086026-014	Cylindrical Spacer Ø6.3 ø5.1 h6.2
38	086026-015	Cylindrical Spacer Ø6.3 ø5.1 h8.3
39	VTS00M-001	Screw TSCE M3x16 UNI EN ISO 14584 - White Zinc Coated
40	ROP005	Washer ø4.3 UNI 6592 - Black Zinc Coated
41	VTC00N	Screw TCCE M4x10 UNI EN ISO 14579 - Black Zinc Coated
42	285076-801	Effects Frame SCENIUS SPOT
43	285062-001	Flat Spring
44	080630-001	Cylindrical spacer D7 d4.2 h=3
45	285312-801	Reflector Support Plate
46	020201-009	Safety Washer ø5.1 Schnorr BN 791 Black Zinc Coated
47	030374	Thermostat - R28 140 C° Series
48	285202-802	Electronic Board Support
49	283120-801	Lamp-holder Support group SCENIUS
50	286304-801	Dimmer Blade Group
51	283077-801	Ignitor Plate Group
52	285310-801	IR Filter Group
53	RIF00D	Reflector Facetted Lok-It
54	286304-802	Dimmer Blade Group

SCENIUS SPOT

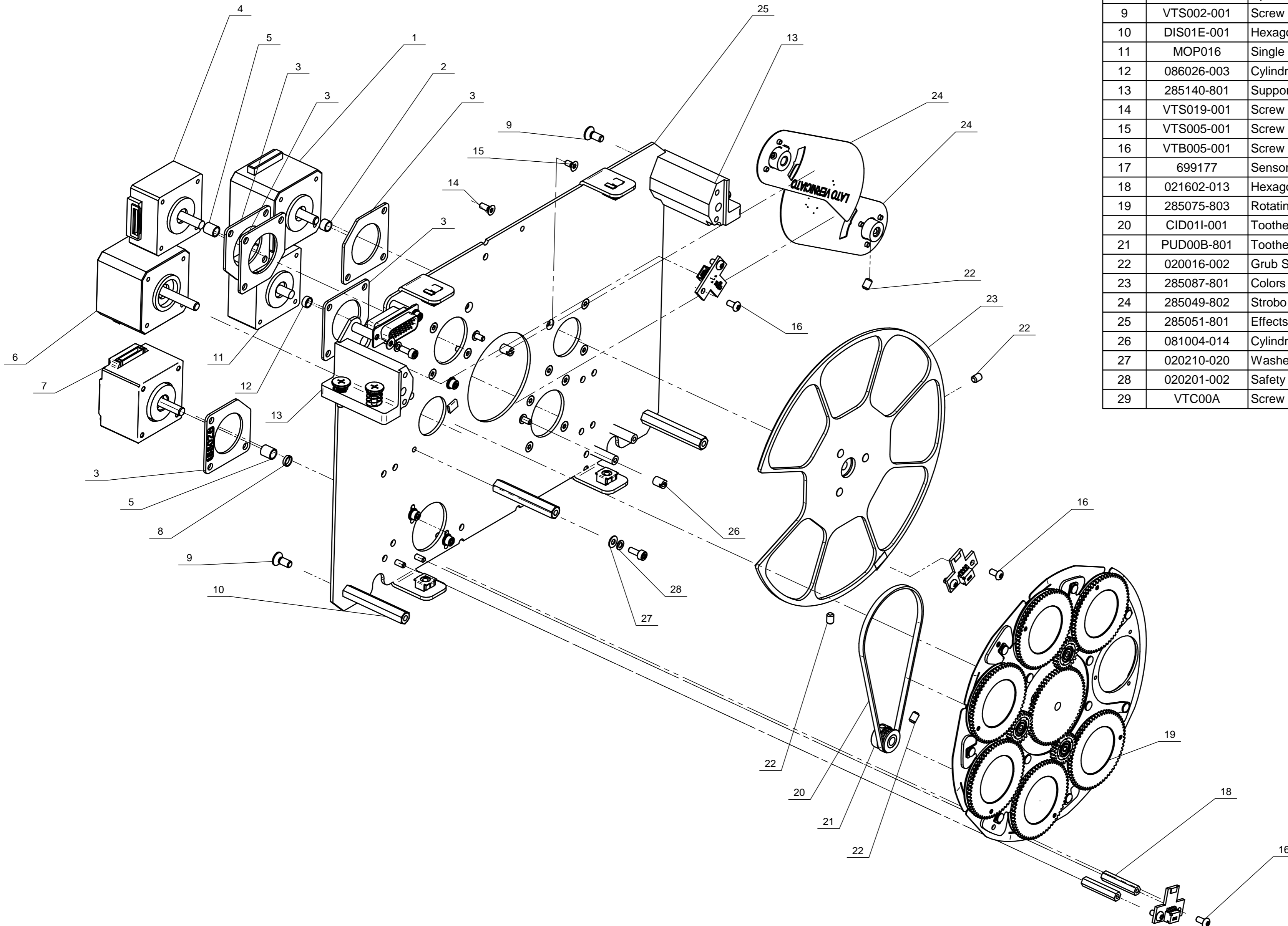
Colour Mixing assembly



N.	Part Number	Description
1	020201-002	Safety Washer ø3.2 Schnorr BN 791 Black Zinc Coated
2	020210-020	Washer ø3.2 UNI 6592 - Black Zinc Coated
3	PER02C-001	Stud Ø4
4	VTC00A	Screw TCCE M3x08 UNI EN ISO 14579 - Black Zinc Coated
5	081472-001	Extension Spring
6	080630-001	Cylindrical spacer D7 d4.2 h=3
7	020212-006	Washer ø4.3xØ12x1 UNI 6593 - White Zinc Coated
8	VTB00D	Screw TBCE M4x08 UNI EN ISO 14583 - Black Zinc Coated
9	020601-001	Seeger for Shaft ø C72 - UNI 7435 Brurnished Ø4
10	286050-801	motor Group
11	188026-001	Motor Insulating
12	286047-802	Support Group
13	286051-802	Input Fan Group
14	286051-801	Output Fan Group
15	286047-801	Evenescence Plate SCENIUS
16	031959	Single Shaft Motor 39 x 39 L=10
17	286049-002	CMY Stud Support
18	286049-001	CMY Stud Support
19	PUD01E-801	Toothed Pulley Z28 MXL
20	VTS017-001	Screw TSCE M3x05 UNI EN ISO 14584 - Black Zinc Coated
21	021602-001	Hexagonal Spacer FF M3 H=12 - Nickel-Plated Brass
22	VTC009-001	Screw TCCE M3x06 UNI EN ISO 14579 - Black Zinc Coated
23*	031289	Cable Clamp Ø3.3 PVC Black
24	SCH030	Sensore Hall Electronic Board
25	021603	Hexagonal Spacer MF M3 H=7 - Nickel-Plated Brass
26	020101-001	Self Locking Nut M3 UNI 7473 - White Zinc Coated - Nylon Insert
27	VTB004	Screw TBCE M3x04 UNI EN ISO 14583 - Black Zinc Coated
28	086026-005	Cylindrical Spacer Ø6.3 ø5.1 h4.5
29	020210-005	Washer ø3.2 UNI 6592 - White Zinc Coated
30	020112-001	Self Locking Nut M3 UNI 7474 - White Zinc Coated - Metal Insert
31	030377	Cut Out Thermal F11 Clamp MicroTherm B224
32	020016-002	Grub Screw PP UNI 5923 M4x06 Black Zinc Coated
33	030379	Cut Out Thermal F11 k110° U185

SCENIUS SPOT

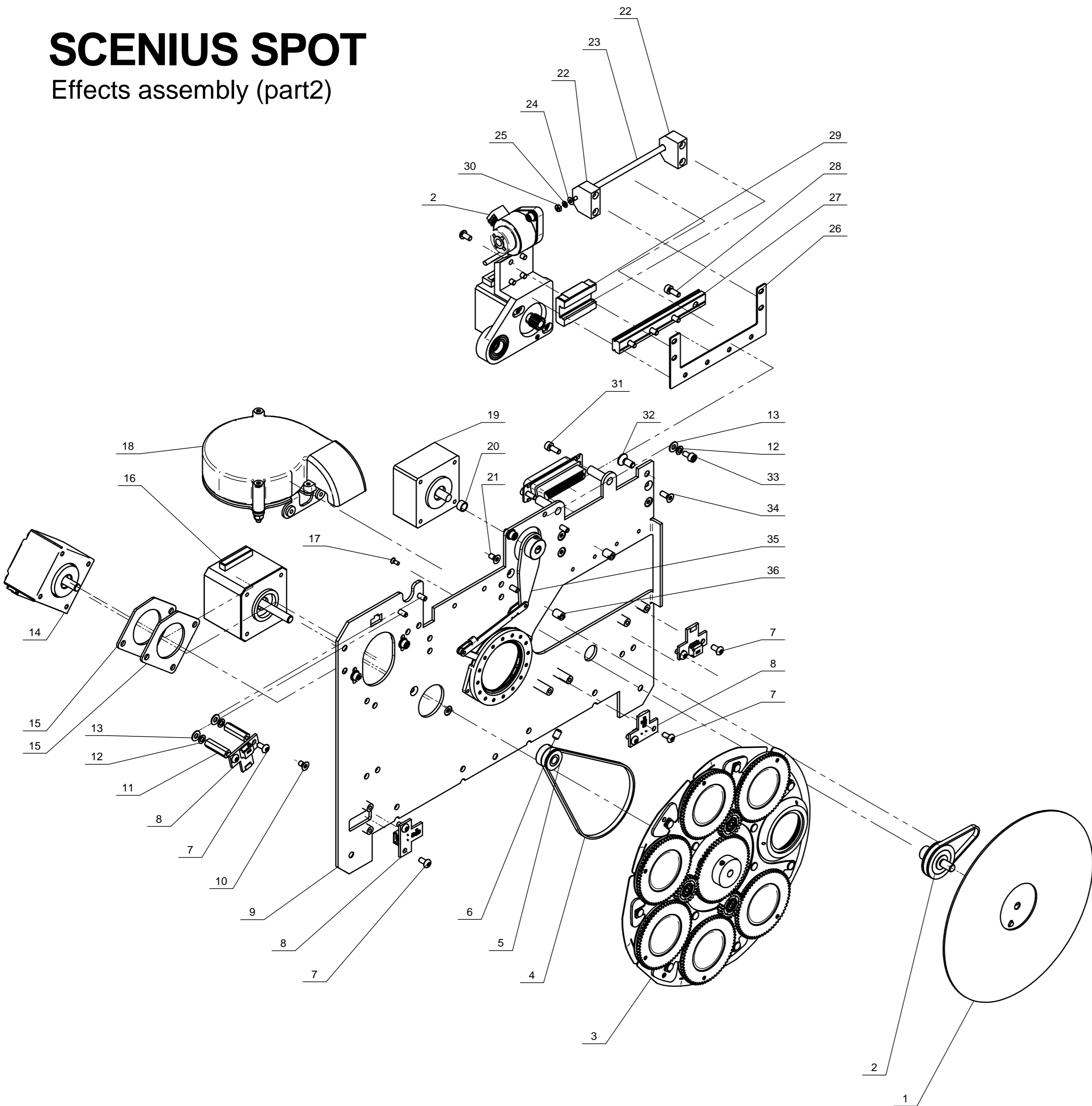
Effects assembly (part1)



N.	Part Number	Description
1	179014-002	Single Shaft Motor 42 x 42 L=14
2	086026-008	Cylindrical Spacer Ø6.3 ø5.1 h4
3	188026-001	Motor Insulating
4	031960	Single Shaft Motor 39 x 39 L=16.5
5	086026-006	Cylindrical Spacer Ø6.3 ø5.1 h7
6	MOP00W	Single shaft motor 42 x 42 L=24
7	MOP017	Single Shaft Motor 39 x 39 L=16.5
8	086026-001	Cylindrical Spacer Ø6.3 ø5.1 h1.5
9	VTS002-001	Screw TSCE M4x10 UNI EN ISO 14584 - White Zinc Coated
10	DIS01E-001	Hexagonal Spacer FF M4 CH=7 H=44.5
11	MOP016	Single Shaft Motor 39 x 39 L=12
12	086026-003	Cylindrical Spacer Ø6.3 ø5.1 h2.5
13	285140-801	Supporting block effects plate
14	VTS019-001	Screw TSCE M3x08 UNI EN ISO 14584 - Black Zinc Coated
15	VTS005-001	Screw TSCE M3x06 UNI EN ISO 14584 - White Zinc Coated
16	VTB005-001	Screw TBCE M3x06 UNI EN ISO 14583 - Black Zinc Coated
17	699177	Sensore Hall Electronic Board
18	021602-013	Hexagonal Spacer FF M3 H=25 - Nickel-Plated Brass
19	285075-803	Rotating Gobo Wheel 1
20	CID011-001	Toothed Belt 1008 MXL 012 (Z126 Sviluppo 256.03) HSN-40N
21	PUD00B-801	Toothed Pulley Z20 MXL 012
22	020016-002	Grub Screw PP UNI 5923 M4x06 Black Zinc Coated
23	285087-801	Colors Disc Group 7 + 1
24	285049-802	Strobo Blade Group
25	285051-801	Effects Motors plate
26	081004-014	Cylindrical End Stopper ø5 M3 H=6.5
27	020210-020	Washer ø3.2 UNI 6592 - Black Zinc Coated
28	020201-002	Safety Washer ø3.2 Schnorr BN 791 Black Zinc Coated
29	VTC00A	Screw TCCE M3x08 UNI EN ISO 14579 - Black Zinc Coated

SCENIUS SPOT

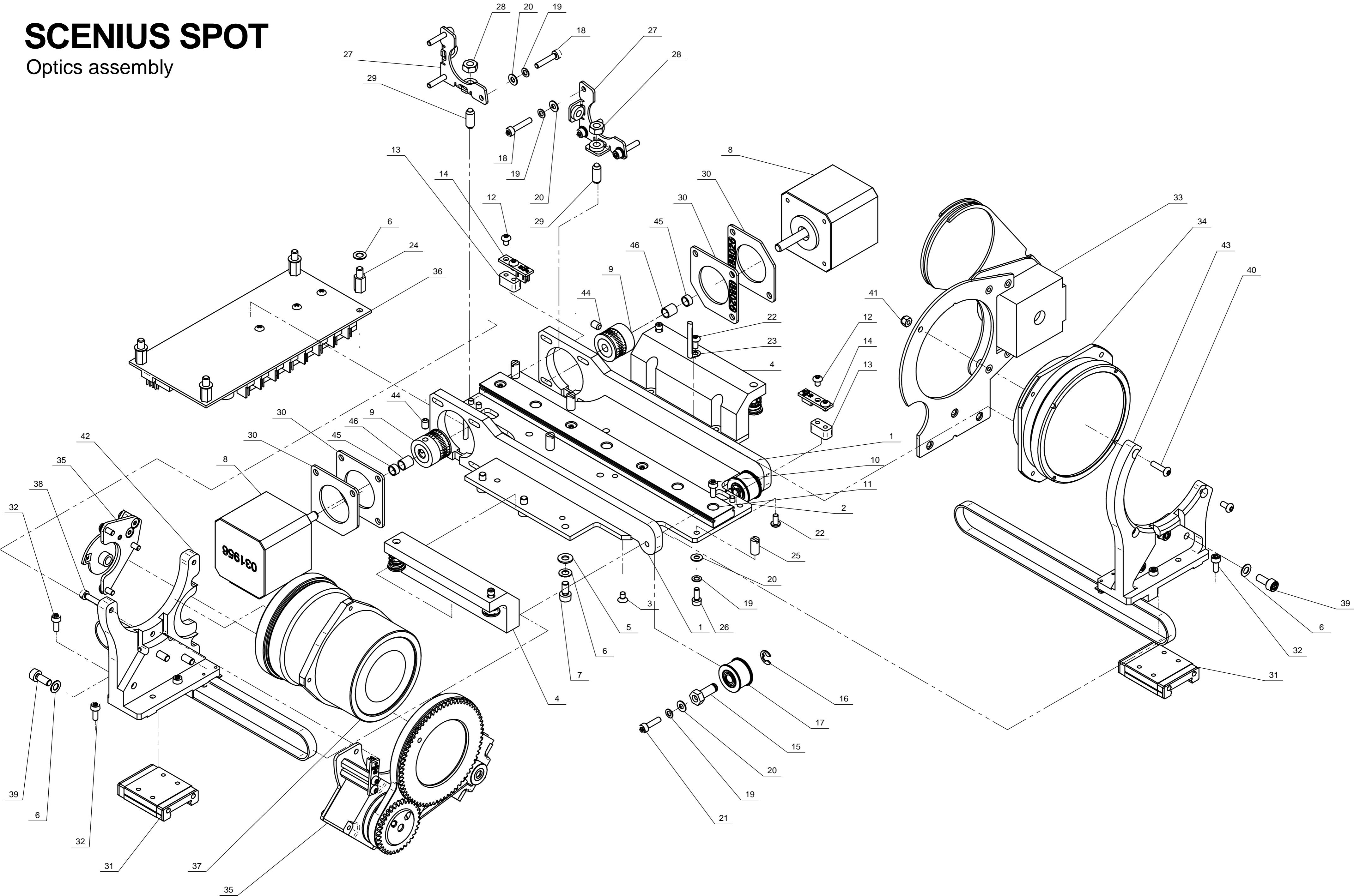
Effects assembly (part2)



N.	Part Number	Description
1	285211-801	Animation Disc Group
2	285013-801	Animation Disc Group
3	285075-804	Rotating Gobo Wheel 2
4	CID011-001	Toothed Belt 1008 MXL 012 (Z126 Sviluppo 256.03) HSN-40N
5	PUD00B-801	Toothed Pulley Z20 MXL 012
6	020016-002	Grub Screw PP UNI 5923 M4x06 Black Zinc Coated
7	VTB005-001	Screw TBCE M3x06 UNI EN ISO 14583 - Black Zinc Coated
8	699177	Sensore Hall Electronic Board
9	285032-801	Motor Plate
10	VTS017-001	Screw TSCE M3x05 UNI EN ISO 14584 - Black Zinc Coated
11	021602-010	Hexagonal Spacer FF M3 H=18 - Nickel-Plated Brass
12	020201-002	Safety Washer ø3.2 Schnorr BN 791 Black Zinc Coated
13	020210-020	Washer ø3.2 UNI 6592 - Black Zinc Coated
14	MOP019	Single Shaft Motor 39 x 39 L=12
15	188026-001	Motor Insulating
16	MOP00W	Single shaft motor 42 x 42 L=24
17	020007-005	Screw TSPIC M2x05 UNI 7688 - AISI
18	283016-801	Air-Duct Group
19	031959	Single Shaft Motor 39 x 39 L=10
20	086026-004	Cylindrical Spacer Ø6.3 ø5.1 h3.5
21	VTS005-001	Screw TSCE M3x06 UNI EN ISO 14584 - White Zinc Coated
22	285206-001	Support
23	ATL002-001	Threaded Shaft for Linear Actuator HAYDON
24	020210-010	Washer ø2.2 UNI 6592 - White Zinc Coated
25	020201-001	Safety Washer ø2.2 Schnorr BN 791 Black Zinc Coated
26	285032-002	Support Plate
27	GUI008-001	Linear Guide
28	VTC00A	Screw TCCE M3x08 UNI EN ISO 14579 - Black Zinc Coated
29	035004-001	Trolley for Linear Guide
30	020106-001	Medium Nut M2 UNI 5588 - AISI
31	VTC00A-001	Screw TCCE M3x08 UNI EN ISO 14579 - Black Zinc Coated
32	VTS002-001	Screw TSCE M4x10 UNI EN ISO 14584 - White Zinc Coated
33	VTC009	Screw TCCE M3x06 UNI EN ISO 14579 - Black Zinc Coated
34	VTS019-001	Screw TSCE M3x08 UNI EN ISO 14584 - Black Zinc Coated
35	285205-801	Iris group SCENIUS
36	081004-014	Cylindrical End Stopper ø5 M3 H=6.5
37*	VTC006	Screw TCCE M3x10 UNI EN ISO 14579 - Black Zinc Coated

SCENIUS SPOT

Optics assembly



SCENIUS SPOT

Optics assembly_INDEX

N.	Part Number	Description
1	285120-001	Motor Support
2	285121-001	Support Plate
3	VTS017-001	Screw TSCE M3x05 UNI EN ISO 14584 - Black Zinc Coated
4	285119-801	Fixing Support ZOOM
5	ROP005	Washer ø4.3 UNI 6592 - Black Zinc Coated
6	020201-003	Safety Washer ø4.1 Schnorr BN 791 Black Zinc Coated
7	VTC00M	Screw TCCE M4x08 UNI EN ISO 14579 - Black Zinc Coated
8	031956	Single Shaft Motor 42 x 42 L=24
9	PUD014-801	Toothed Pulley Z28 MXL
10	VTC01E	Screw TCCE M3x08 UNI EN ISO 14579 - White Zinc Coated
11	GUI006-001	Linear guide
12	VTB004	Screw TBCE M3x04 UNI EN ISO 14583 - Black Zinc Coated
13	285113-001	Hall Sensor Support
14	SCH02J	Sensore Hall Electronic Board
15	PER01P-001	Return Belt Stud
16	020601-004	Retaining Rings for Shaft C72 - UNI 7435 Brurnished Ø5
17	172016-001	Belt return Bush
18	VTC00D	Screw TCCE M3x16 UNI EN ISO 14579 - Black Zinc Coated
19	020201-002	Safety Washer ø3.2 Schnorr BN 791 Black Zinc Coated
20	020210-020	Washer ø3.2 UNI 6592 - Black Zinc Coated
21	VTC00B	Screw TCCE M3x12 UNI EN ISO 14579 - Black Zinc Coated
22	VTB005-001	Screw TBCE M3x06 UNI EN ISO 14583 - Black Zinc Coated
23	031289	Cable Clamp Ø3.3 PVC Black
24	021607	Hexagonal Spacer MF M4 H=10 - Nickel-Plated Brass
25	081004-006	Cylindrical End Stopper ø5 M3 H10
26	VTC00A	Screw TCCE M3x08 UNI EN ISO 14579 - Black Zinc Coated
27	235114-801	Friction Support Plate
28	020106-004	Medium Nut M5 UNI 5588 - White Zinc Coated
29	080812-001	Plunger Spring M5x12 -
30	188026-001	Motor Insulating
31	GUI007-001	Trolley for Linear Guide
32	VTC00A-001	Screw TCCE M3x08 UNI EN ISO 14579 - Black Zinc Coated
33	285009-801	Frost Blade Group ZOOM
34	285094-801	Zoom Lens Group
35	285010-801	FOCUS Group
36	298011-801	8 Drivers Board Group
37	285095-801	FOCUS Lens Group
38	VTC00C	Screw TCCE M3x14 UNI EN ISO 14579 - Black Zinc Coated
39	VTC00N	Screw TCCE M4x10 UNI EN ISO 14579 - Black Zinc Coated
40	VTB007	Screw TBCE M3x12 UNI EN ISO 14583 - Black Zinc Coated
41	020101-001	Self Locking Nut M3 UNI 7473 - White Zinc Coated - Nylon Insert
42	285103-802	FOCUS Lens Movement Group
43	285103-801	ZOOM Lens Movement Group
44	020016-002	Grub Screw PP UNI 5923 M4x06 Black Zinc Coated
45	086026-012	Cylindrical Spacer Ø6.3 ø5.1 h3
46	086026-006	Cylindrical Spacer Ø6.3 ø5.1 h7